

MARINE STARTER BATTERIES

NX Series - Xtra Power for Marine

Top performance, small weight!

12 V / 9.2 – 13.8 – 18.4 Ah

Ultralight starting batteries based on lithium iron phosphate technology LiFePO4. Specifically designed for high cranking current marine application with a lower weight and smaller dimensions such as Jet-Sky e small boats.

- Starts up 4 strokes engines Otto / Diesel
- Starts up 2 strokes engines Otto



Exclusive features

- Weight reduction: 50% lighter than traditional batteries
- Ultra rapid complete charge: 100% in less than 30'
- Ultra rapid Partial charge: 50% in less than 10'
- Lowest self-discharge rate: < 0,3 % daily (disconnect battery)
- Longer life cycle: 5 to 10 times higher than traditional batteries
- Fit any mounting position
- Very good behavior at high temperature
- **High corrosion resistance for marine environment**

Eco-compatible and safe

- Lithium Iron Phosphate cells make the accumulator safer
- Integrated electronics to protect from overload
- No liquids inside
- Low impact materials
- No lead nor other materials
- Robust ABS recyclable case with GEL COAT outer layer

Quality

- QC on each piece for every step of the assembling process
- Robotized assembly
- Cutting edge last generation components

Certifications

- EMC compatibility [EN 61000-6-1, EN 61000-6-3]
- CE declaration
- ROHS compliant [2002/95/EC]

Wall charger (optional)

- Battery can be charged from grid using **ONLY** wall charger **Aliant™**

Choose the right battery for your vehicle → www.go-aliant.com

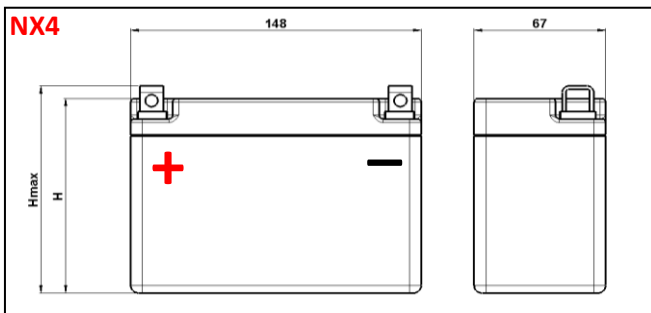
Technical Specifications

Model	NX4	NX6	NX8
Nominal Voltage	13,2 V		
Capacity	9,2 Ah	13,8 Ah	18,4 Ah
Pulse discharge current (10 sec)	480 A	720 A	960 A
CCA Current	400 A	600 A	800 A
Continuous discharge current	280 A	420 A	560 A
Nominal charge current	12 A @ 25°C	18 A @ 25°C	24 A @ 25°C
Max charge current	20 A @ 25°C	30 A @ 25°C	40 A @ 25°C
N° cycles (charge 1C / discharge 10C)	1000 cycles @ 100% D.o.d. 2000 cycles @ 80% D.o.d.		
Life expectancy	Up to 5-7 anni		
Charging voltage	14,4 V		
Max charging voltage	14,6 V		
Weight	≈ 1.8 Kg	≈ 2.70 Kg	≈ 3.45 Kg
Dimensions [mm]	L148 x P67 H140	L148 x P134 H140	L148 x P134 H140
Ambient temperature	-30°C / +60°C [operative and storage]		
Equivalent Lead Acid battery	Up to 18 Ah	Up to 24 Ah	Up to 35 Ah

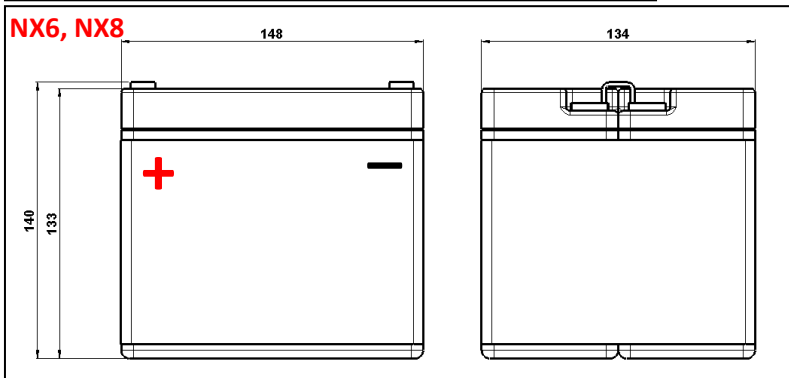


SPECIAL GEL COAT INSULATION ON THE SURFACE TO IMPROVE THE BATTERY LIFE IN MARINE ENVIRONMENT.

NX SERIES BATTERIES ARE EQUIPPED WITH PLASTIC TERMINAL COVERS



Model	H	Hmax
NX4	133	140



Numero Verde
800 132 166



www.go-aliante.com

Aliante™ batteries must be charged exclusively with Aliante™ battery chargers; using other manufacturers' chargers will immediately invalidate the product warranty. Do not use battery maintainer with Aliante™ batteries. Do not short. **Read carefully User Manual before using the battery.** This datasheet may be changed by Elsa Solutions without notice. Aliante™ batteries are not homologated for regular road-use in cars.